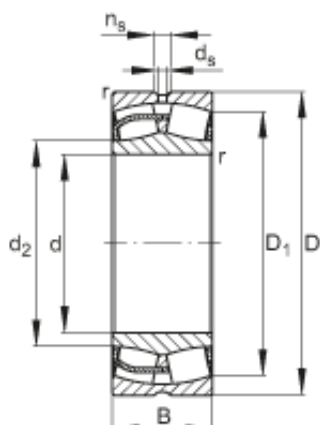




## PRECISION AXLE CORP.



### 180 mm x 300 mm x 118 mm FAG 24136-E1 Spherical Roller Bearings

Bearing No. 24136-E1

24136-E1 Bearing 2D drawings and 3D CAD models

Size	180x300x118 mm
Bore Diameter	180 mm
Outer Diameter	300 mm
Width	118 mm
d	180 mm
D	300 mm
B	118 mm
D <sub>1</sub>	255,7 mm
D <sub>a max</sub>	286 mm
d <sub>2</sub>	204,8 mm
d <sub>a min</sub>	194 mm
d <sub>s</sub>	6,3 mm
n <sub>s</sub>	12,2 mm
r <sub>a max</sub>	2,5 mm
r <sub>min</sub>	3 mm
m	33,2 kg / Weight
C <sub>r</sub>	1460000 N / Dynamic load rating (radial)
e	0,36
Y <sub>1</sub>	1,86
Y <sub>2</sub>	2,77
C <sub>0r</sub>	2170000 N / Static load rating (radial)
Y <sub>0</sub>	1,82



## PRECISION AXLE CORP.

$n_G$	2000 1/min / Limiting speed
$n_B$	990 1/min
$C_{ur}$	203000 N / Fatigue limit load, radial