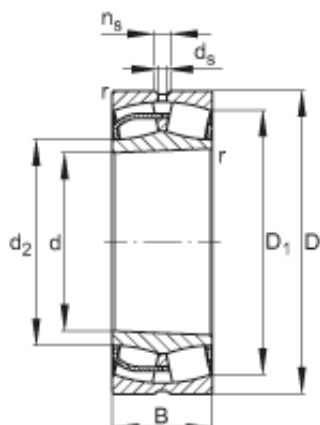




PRECISION AXLE CORP.



180 mm x 280 mm x 100 mm FAG 24036-E1-K30 Spherical Roller Bearings

Bearing No. 24036-E1-K30

24036-E1-K30 Bearing 2D drawings and 3D CAD models

Size	180x280x100 mm
Bore Diameter	180 mm
Outer Diameter	280 mm
Width	100 mm
d	180 mm
D	280 mm
B	100 mm
D ₁	244,6 mm
D _{a max}	269,8 mm
d ₂	201,7 mm
d _{a min}	190,2 mm
d _s	4,8 mm
n _s	9,5 mm
r _{a max}	2,1 mm
r _{min}	2,1 mm
m	21,8 kg / Weight
C _r	1130000 N / Dynamic load rating (radial)
e	0,32
Y ₁	2,1
Y ₂	3,13
C _{0r}	1770000 N / Static load rating (radial)
Y ₀	2,06



PRECISION AXLE CORP.

n_G	2200 1/min / Limiting speed
n_B	1430 1/min
C_{ur}	180000 N / Fatigue limit load, radial