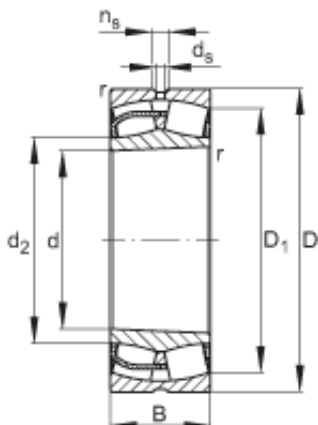




PRECISION AXLE CORP.



190 mm x 290 mm x 100 mm FAG 24038-E1-K30 Spherical Roller Bearings

Bearing No. 24038-E1-K30

24038-E1-K30 Bearing 2D drawings and 3D CAD models

Size	190x290x100 mm
Bore Diameter	190 mm
Outer Diameter	290 mm
Width	100 mm
d	190 mm
D	290 mm
B	100 mm
D ₁	255 mm
D _{a max}	279,8 mm
d ₂	211,9 mm
d _{a min}	200,2 mm
d _s	4,8 mm
n _s	9,5 mm
r _{a max}	2,1 mm
r _{min}	2,1 mm
m	22,8 kg / Weight
C _r	1160000 N / Dynamic load rating (radial)
e	0,31
Y ₁	2,2
Y ₂	3,27
C _{0r}	1860000 N / Static load rating (radial)
Y ₀	2,15



PRECISION AXLE CORP.

n_G	2140 1/min / Limiting speed
n_B	1350 1/min
C_{ur}	123000 N / Fatigue limit load, radial